

INSTRUCTION MANUAL

ELOFLEX D2

Read this documentation before using your Eloflex to make sure that you use it in a manner that is safe, and which does not harm you, your environment or your power wheelchair.



ELOFLEX

Thanks and good luck!

Thank you for choosing an Eloflex as your power wheelchair. It means a lot to us because our vision is to make people's everyday life a little easier and to give people with disabilities a greater freedom. We hope you experience both with the help of your Eloflex.

We believe that you will enjoy much of your new power wheelchair. This manual contains important information on safety, use and care. We encourage you to read through this entire documentation before using your Eloflex for the first time. We also suggest that you train to run your Eloflex on a secluded, open and level surface before using it in other contexts. Eloflex power wheelchair is designed for users with many different needs. Decide whether Eloflex is suitable for the user is always taken by the ordinator or dealer together with the user himself. Eloflex accepts no responsibility for cases where the power wheelchair is not adapted to the user's needs.

An Eloflex should primarily be used in its standard design. If the power wheelchair has to be adapted or altered in any way, it must only be carried out by your assistant center or by Eloflex. Please note that damages and faults caused by non-compliance with the operating instructions or due to poor maintenance are not covered by the warranty.

Good luck and great joy with your Eloflex.

Drive carefully!



Content	Page
Inteded use	3
Folding	4
Disassemble and assemble	5
Install the joystick	6
Charging instructions	6
Change the seat width	7
Manual driving	7
Anti-tip device	7
Joystick	8
Navigate the menus	9
Backrest	10
Footrest	11
Armrest	11
Transport and storage	12
Driving instructions	13-14
Safety instructions	15-16
Technical details	17
Contact	17

Intended use

Type classification and intended use

Eloflex power wheelchairs have been developed for people who have difficulty walking or cannot walk at all, but who have vision ability, physical ability and mental ability to control a power wheelchair.

The Eloflex power wheelchair is sufficiently compact and flexible for indoor use, but the chair is also suitable for outdoor use. The chapter "Technical data" at the back of this document contains information on speed, turning radius, range, maximum lifting capacity and maximum weight for the user and so on. We encourage you to read all safety information in the chapter "Safety" in this document.

Eloflex is tested and approved according to EN12184: 2014 - class B (indoor and outdoor use). Eloflex is also approved according to ISO-7176, IEC60601 and the batteries are approved according to UN38.3.

Eloflex power wheelchairs meet the applicable requirements of the MDR 2017/745.

Class 1 conformity assessment / CE marking has been issued in accordance with Annex VIII Chapter III of MDR 2017/745. Conformity assessment procedure: Annex II and Annex III of MDR 2017/745. The CE marking will be void if you use replacement components or accessories that have not been approved for this product.

Needs

The purpose of an Eloflex power wheelchair is to compensate for an injury or disability, which is why it is recommended in the following circumstances:

- If the user has the inability to walk or very limited ability to walk, which makes it difficult to move in his / her own home.
- If there is a need to leave the home to get out or to visit places that are normally visited in order to carry out everyday affairs.
- When the user has difficulty getting to, or performing work or activities because of his / her mobility disabilities.

It is advisable to use Eloflex power wheelchairs both indoors and outdoors, if it is not possible to use hand-operated wheelchairs due to mobility problems, but it is still possible to properly handle power wheelchairs.

Accessories

Chargers and bag with simpler tools are available when delivered in the storage bag under the seat.

Utility

Only use the Eloflex power wheelchair when fully functional. Otherwise you put yourself and others at risk. The following list does not include all possible situations. It describes only certain situations that may affect the usability of the power wheelchair.

- Do not use the power wheelchair if the batteries are defective or deformed
- Do not use the power wheelchair if the engine is jerky or makes abnormal noise
- Do not use the power wheelchair if the brake function appears to be wrong
- If your tires are worn, contact your assistant center or dealer
- If you notice any damage to the seat belt, armrest, seat, backrest, joystick or other part of the chair, contact your assistant center or dealer.
- If you notice any damage to the electrical system (cables, batteries, chargers, etc.), please contact your assistant center or dealer

Manufacturer's warranty

The Eloflex warranty replaces parts that are broken, the damage must not be caused by the user. The warranties do not cover damage caused by external circumstances such as theft, abuse, misuse, lightning, or modification.

Life span

The estimated lifetime of an Eloflex is 5 years. However, the life of the product is largely affected by how it is used and managed. An Eloflex can have a much longer life if you take care of it in a good way and only use it in line with the information in this document.

Safety regulations and risks

PLEASE READ THE SAFETY INSTRUCTIONS FROM THE PAGE 12 BEFORE YOU USE YOUR ELOFLEX.



Folding

Fold up

Step 1

Place the folded chair on the ground as shown on the right. Grasp the backrest and pull upwards to open the chair. Hold on with one hand on the seat cushion.



Step 2

Close the lock - this is very important!



Collapse

Step 1

Open the lock as shown in the picture to the right.



Step 2

Put one hand on the front of the seat cushion. Grasp the top of the backrest with the other hand and fold it forward. Push the chair together according to the pictures on the right.



Disassemble and assemble

Dissemble

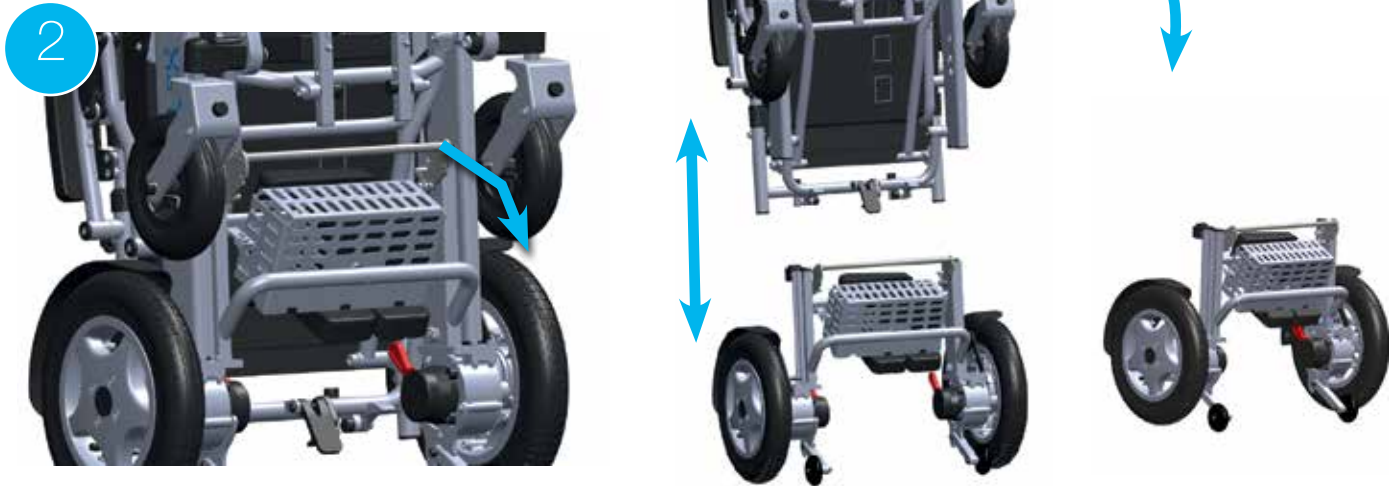
Step 1

Fold the chair and put it upright. Make sure that the anti-tip devices are facing forward when you raise the chair so that the lower part can stand on its own.



Step 2

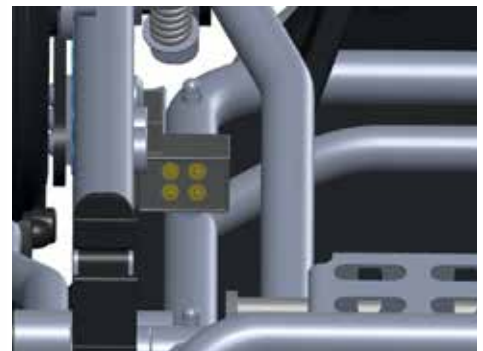
Push down the handle of the locking mechanism while lifting the upper part off the lower part. The upper part then stands firmly with the help of the locking hook.



Assemble

Step 1

Lift the upper part and place it in the correct position using the guide rails on the lower part. The locking mechanism will lock automatically. The connector is connected when docking the upper part.



Step 2

Fold up the chair again. It is important that you close the locking hook before starting the power wheelchair and using it.



Install the joystick

Step 1

Mount the joystick in the tube under the armrest and tighten the screw in the desired position.



Step 2

Assemble the cable connectors and gently rotate until the pins enter the holes and the grooves in the two connectors engage. Then screw the sleeves together on each contact.



IMPORTANT!
Be careful not to damage or bend the pins in the connector.

Charging instructions

This is how you charge

Start by turning off your Eloflex (all lights on the joystick should be off). Connect the charger to the socket on the front of the joystick. Make sure that the contacts' position matches each other. Then plug the charger's power cable into a wall outlet.

Charging is indicated by a lamp on the charger. Red lamp means that charging is in progress. After about three hours, the batteries are charged at 90 percent. The chair can now be used again.

After about 5-8 hours, the light on the charger becomes green and the batteries are fully charged. During charging, the charger itself becomes warm, and this is normal. Charging instructions should take place for about



five hours when the bar on the battery indicator at the joystick has dropped three lines.

The batteries will not be damaged by maintenance charges but for maximum battery lifespan we recommend that you disconnect the charger when the batteries are fully charged. Charging the batteries can be done down to



IMPORTANT!
NEVER connect the charger directly to the battery.

-10 degrees. When charging in lower temperatures, the batteries will not get fully charged.

If your Eloflex is used in minus degrees, the mileage is affected. For example, at -10 degrees, the mileage can be reduced by up to 50 %.

Change the seat width

You can increase the seat width by moving out the armrests using the widening kit. You can choose to increase the seat width by 5 or 10 cm.

Step 1

Loosen the armrests on each side by unscrewing its two brackets.

Step 2

Fit the widening sleeve between the chair and the armrest. Reinstall the armrests.

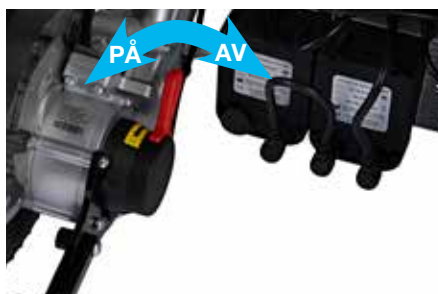
You buy the widening kit where you bought your Eloflex.



Manual driving

Turn off the power wheelchair with the joystick. Then push the red levers on the motors (see picture) to disconnect the magnetic brakes. In this position, the chair can be rolled manually.

Note! If the user uses the chair without assistance, the magnetic lock of the chair must always be switched on.

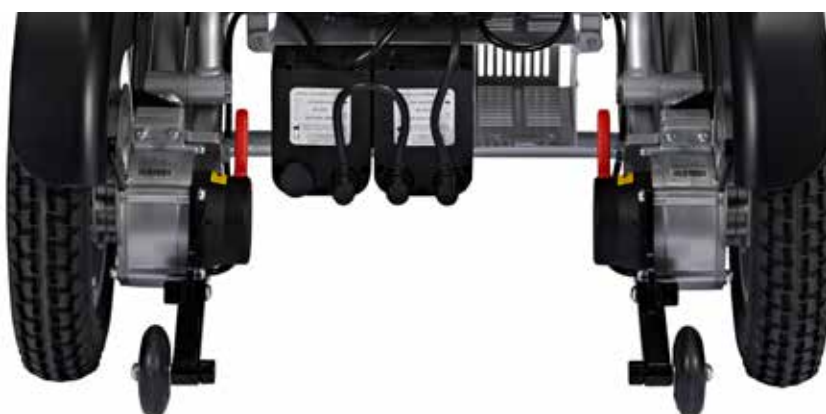




IMPORTANT!
NEVER kick on the red levers with your foot.
Only use your hands.

Anti-tip device

The anti-tips do not need to be adjusted. Check the condition of the anti-tips regularly and make sure the nuts are tight.



Joystick



1 2 3

1 Speed indicator: All lines white = maximum speed.

2 Trip meter: This shows the distance you have driven and the current speed.

3 Battery control: How much power is left in the batteries is indicated. When the batteries are fully charged, all bars are white. As the batteries run down, the lines go out in turn. Charge when three bars have gone out.

USB connector

TIP: Use the USB connector on the underside of the joystick to charge your mobile phone.



Joystick: Controls the chair's speed and direction.



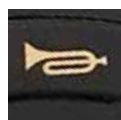
Increase speed: Press to increase the chair's maximum speed.



Power on and off: Press to turn your Eloflex on and off.



Reduce speed: Press to reduce the chair's maximum speed.



Horn: Press to call attention.



On/off light: Press to turn the light on or off.

Navigera i menyerna

Change settings

You can change the chair's settings such as language, horn volume and measurement units.

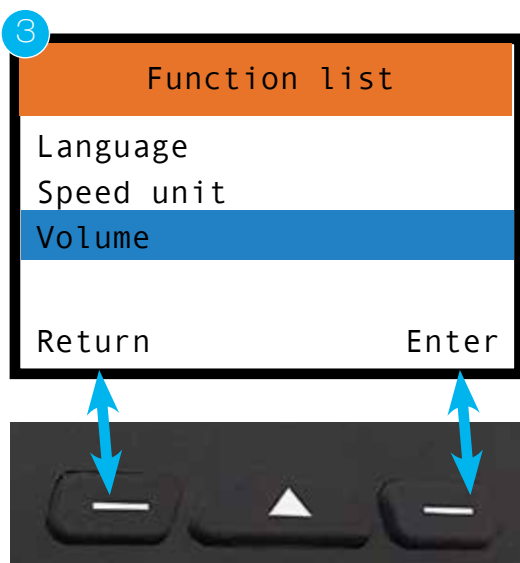
1. To enter the settings, press the right multifunction button. A list of multiple choice options will then open.



2. In the multi-choice list, scroll up and down with the speed buttons.



3. Select function with the right multifunction button (Enter) or go back one step with the left multifunction button (Return).



Backrest

Adjust the backrest

Adjust the inclination of the back by pushing down the levers on the sides and position the backrest in an angled position that feels comfortable. Then release the levers to lock the position. You can choose between 2-22 degree angle.



Footrest

For easier entry and exit, the footrest can be folded up as shown down below.



Adjust the footrest

You can change the height of the footrest in two fixed positions.

Remove the black plastic cover from the four nuts. **(1)**

Tighten the retaining screws while holding the nut. **(2)**

Refit the footrest in the other mounting hole. If the footrest does not remain in the raised position, you can adjust the inertia of the footrest by tightening the fixing screws **(2)**.

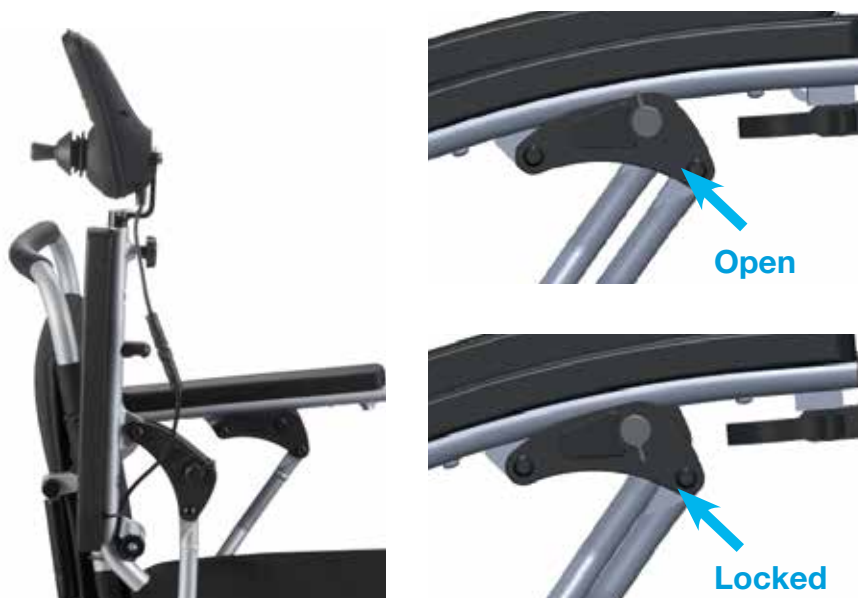


Lift the armrests

To lift the armrests up and down, first loosen the lock by turning the locking lever half a turn. Then lift the armrests.



It is important that you lock the armrests when you fold them down again by turning the lock lever back half a turn.



Transport och förvaring

- To lift the chair, it is recommended that the chair is first folded.
- A folded chair can be put in the luggage of a car or set in a wardrobe.
- If the chair is not to be used for a while, we recommend that the batteries be fully charged before the chair is set aside.
- The chair should be stored indoors in frost-free, dry and ventilated areas. Storage temperature 0-30 degrees.
- When transporting by bus or by handicap transportation, the Eloflex must be attached to the fastening points shown in the pictures at the bottom. Note that Eloflex is not tested as a car seat. We therefore always recommend that the user moves over to the car's own seats.
- When transporting by flight, please check with your airway company. Eloflex follows the recommendation of IATA.



Safety instructions when driving

There is a risk of injury by tipping the wheelchair.

- Only drive in inclines that do not exceed the maximum allowable slope
- Always use anti-tippers when traveling with Eloflex
- Driving downhill should always be done at a lower speed
- Avoid areas where there is a risk of icy or slippery surfaces
- Never try to drive up or down stairs with your power wheelchair
- Never drive over obstacles higher than the recommended maximum height
- Avoid rapid movements with the joystick and sudden changes in driving direction while driving

Risk of being stuck in remote places.

- A user with greatly reduced mobility should not drive longer distances outdoors alone

Risk of injury if one foot slips off the footrest and falls under the powered wheelchair while driving.

- Always place your feet in the middle of the footrest while driving

Risk of injury if you collide with other objects in narrow passages.

- Drive through narrow passages with the lowest speed and greatest attention

There is a risk that the wheelchair will tip over if the anti-tip devices are removed, damaged or mounted at a position that deviates from the standard mounting.

- The anti-tip devices must always be mounted when the power wheelchair is used
- The anti-tip devices only work on a solid surface. On soft surfaces such as lawns and snow, the anti-tip device can lose its effect. Therefore, drive extremely carefully on soft surfaces.



Driving

Read

The user must read these safety and driving instructions before using the Eloflex power wheelchair.

Practice

Practice makes perfect. Train to drive your Eloflex together with an assistant by starting on an open plan surface, preferably outdoors, before using your power wheelchair among other people, in stores or restaurants etc. Move forward by moving the joystick slowly forward. Stop by releasing the joystick.

Reverse

Reverse by moving the joystick slowly backwards. To stop, release the joystick. Remember to always look backwards before you start reversing to be sure that no person or thing is in the way.

Spin

Spin by moving the joystick gently sideways. Take care so nothing is in the way of the sides when you spin.

Turn

Turn as you drive by gently moving the joystick sideways in the same direction you want to turn. Always lower the speed when turning.

Obstacle

Practice avoiding and passing obstacles. Move the joystick sideways while driving forward to avoid obstacles. Remember to lower the speed as you approach obstacles.

Fast driving

Fast driving: Press the joystick in the forward position if you want to drive fast. Remember to retract the joystick and lower the speed as soon as you feel insecure, whether you are turning or approaching an obstacle

Run over obstacles

Drive slowly to the obstacle and make sure the front wheels are in the direction of travel. Then move the joystick slowly forward while leaning backwards to drive over the obstacles. Eloflex is tested and approved for obstacles up to a maximum of 6 cm.

Run on slope

Try driving straight up or down for an inclined surface. Lean slightly forward as you drive up, and backwards as you drive down, to maintain the center of gravity. Avoid driving sideways if possible and compensate for any side slope by leaning in the opposite direction. Always drive slowly on slopes. Avoid surfaces that tilt more than 9 degrees.

Elevators

Remember to check the width of the elevator door and how quickly the door is closed before you enter the lift. Keep in mind that you may have to reverse out of the lift if it is not large enough to allow you to turn around

Driving on the road

Drive primarily on sidewalks, walkways and cycle paths and, ultimately, on busy roadways with your Eloflex.

Cross the roadway

if possible, always choose to cross the road at a pedestrian crossing. Pay attention to intersecting cars. Use chamfered part of the pavement if available. Avoid curbs higher than 6 cm.

General safety instructions

There is a risk of personal injury if the power wheelchair is used for purposes other than those described in this document.

- Use the power wheelchair only according to the instructions in this manual (see above, chapter "Type classification and intended use")

There is a risk of personal injury if the power wheelchair is used for reduced driving ability.

- Do not use the wheelchair when your driving skills are impaired due to, for example, illness, medication or alcohol.

There is a risk of injury if the power wheelchair is involuntarily moved.

- Switch off the wheelchair before boarding and exiting or if there is a risk that you, another person or an object could come in contact with the joystick.
- When the motors are disengaged, the brakes do not work. Therefore, the wheelchair must only be pushed on flat ground, never on slopes. Never leave the wheelchair in or near slopes with disengaged motors.

There is a risk of personal injury if the powered wheelchair is switched off during travel with, for example, the on / off button or by tearing off a cable, as it stops with a hard jerk.

- Release the joystick when braking in an emergency. Then the wheelchair stops automatically.

There is a risk of injury due to falls from the wheelchair

- Do not move forward, do not bend forward between the knees and do not lean over the wheelchair edge, for example to reach objects.
- Always use a seat belt and re-adjust it before each trip.

- Drive as close to the new seat as possible when transferring to another seat. There is a risk of personal injury if the maximum permissible load is exceeded.
- Observe the maximum permissible load (see chapter "Technical data" at the back of this document).
- The power wheelchair may only be used by a single person. Never use the wheelchair to transport more than one person at a time.

There is a risk of personal injury and damage to the wheelchair if the lock is released when folding is not properly clamped when the power wheelchair is used.

- If the power wheelchair's lock has not clicked into place properly, the chair can suddenly collapse when used, which can cause you to fall out of the wheelchair.
- Always ensure that the locking hook is in a correct position before using the power wheelchair. There is a risk of personal injury and crushing damage when folding the wheelchair.
- Always fold and raise the power wheelchair as described in the operating instructions.
- Pay attention so that none or nothing is squeezed when folding and unfolding.

There is a risk of personal injury and damage to the wheelchair if it is used in damp areas.

- The power wheelchair must not be used during showering.
- The power wheelchair must not be used when bathing.



Safety

Crossing railway tracks

Always cross the railway track straight from the front, never obliquely from the side. Never cross the railway tracks alone, always have someone with you who can help you.

Sharp edges

Be careful when driving on steep slopes, as the chair is likely to break. Eloflex is tested and approved for gradient with a maximum of 9 degrees. Always have someone with you who can help you.

High edges

Be careful when driving up or out for an edge. Eloflex is tested and approved for edges up to a maximum of 6 cm. Always have someone with you who can help you.

Transfer

We recommend that you always have someone who can help you with transfers to and from your Eloflex. Always turn off the power before starting the movement. Always lift up the armrests and footrest before moving to make getting in and out of the chair easier.

Don't repair on your own

Never try to repair a broken power wheelchair on your own. If you try to repair the chair yourself, the warranty does not apply. Always turn to Eloflex or to the shop or assistant center that sold / prescribed the chair. Never modify your power wheelchair on your own.

No toy

Never allow children who do not normally use an power wheelchair to sit on or use your Eloflex

Cleaning

Never clean your Eloflex with running water. Only wipe it with a damp cloth. If your Eloflex is slow to fold up and together, you can lubricate the joints with oil or silicone spray

Beware of heat

Never leave your Eloflex in direct sunlight or near a heat source as the batteries may be damaged. Never be near open fire with your Eloflex. You can use your Eloflex from -10 degrees up to +45 degrees. At freezing temperatures, the range can be affected.

Storage

Keep your Eloflex out of the reach of children when not in use. The chair should be stored indoors in frost-free, dry and ventilated areas. Storage temperature 0-30 degrees.

The charger

The charger must never be covered when used to charge your Eloflex. The charger becomes hot and there is a risk of accident or injury.

Batteries

Never store the batteries in direct sunlight or in a location that can reach below zero temperatures. The batteries should be stored in a dry and ventilated place.

Technical specifications

MODEL D2

Weight	14 +16 kg without batteries
Total weight	32,5 kg including batteries
Range	30 km
Max load	160 kg
Speed	6,5 km/h
Motor	2 x brushless motors
Motor effect	2 x 250 Watt
Battery	2 x Litium ION 10AH/24V
Battery effect	2 x 240 Wh
Charging time	3 hours
Turning radiation	89 cm
Wheels	front 8" massive, rear 12" air
Seat height	54 cm
Seat width	45 (50, 55) cm
Seat depth	44-47 cm
Backrest	Adjustable 2-22 degrees
Size	96x62x107 cm
Size folded	76x62x50 cm

© Copyright Eloflex

This document contains copyrighted information and may not be copied or reproduced in whole or in part without the written permission of Eloflex. Eloflex is reserved for any typographical errors in this document and we reserve the right to product changes.

Contact Eloflex

If you have any questions or need help, please contact your help center or dealer. If you want direct contact with us, you will find contact information on our website, www.elflex.eu.



2021-05-08
Version 2.0
Sungo Europe B.V.
Olympisch Stadion 24, 1076DE
Amsterdam, Netherlands
SRN:NL-AR-000000247



Eloflex
Hammarbacken 4B
191 49 Sollentuna
SWEDEN

+46 10-18 33 100
info@elflex.se
www.elflex.eu